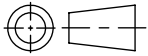
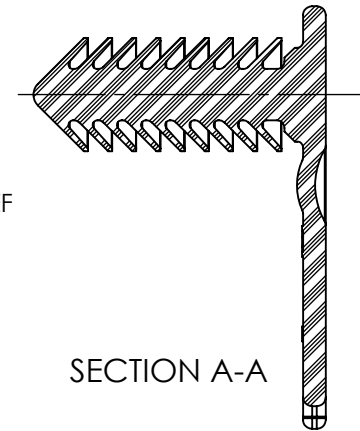
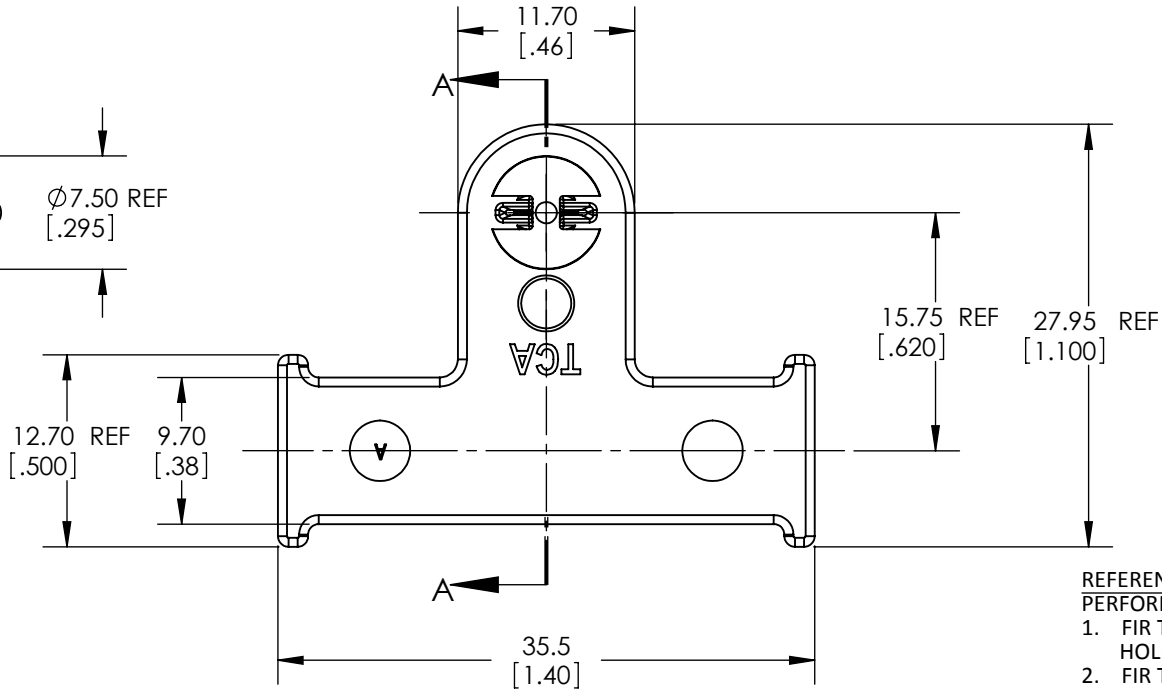
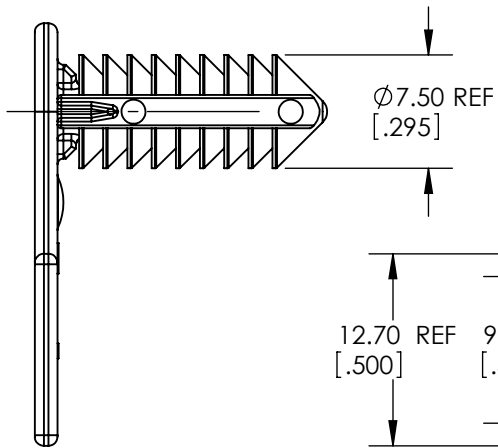
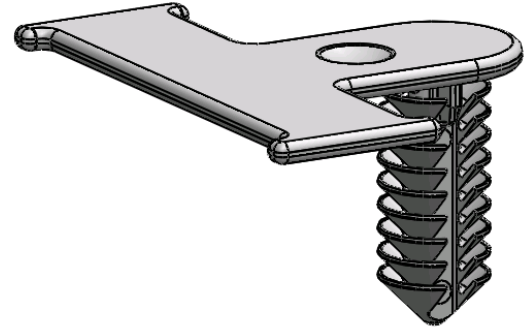
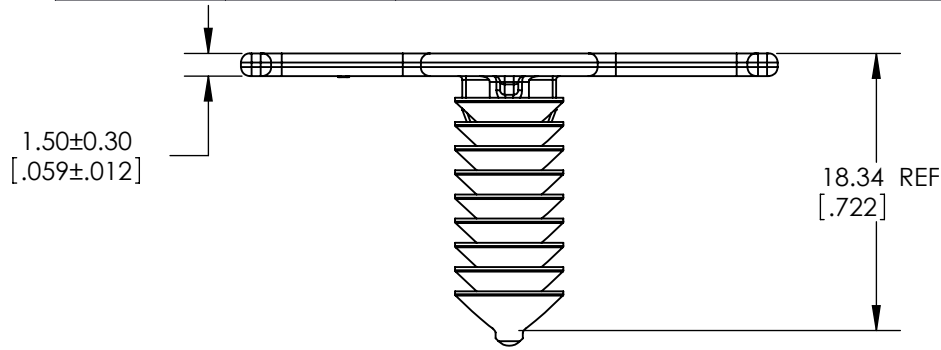


SW2010



Revision level		Revision Record	Changed	Date	Approved	Date
Drawing	Part					
00	-	SEE ECN# 012160	MHT	12/02/2011	MHT	09/21/2012



- REFERENCE:
PERFORMANCE REQUIREMENTS AT DRY AS MOLDED:
1. FIR TREE PUSH IN FORCE: 10 LBS. MAX IN A 6.5mm HOLE AND A PLATE THICKNESS OF 1.8mm
 2. FIR TREE PULL OUT FORCE: 25 LBS. MIN IN A 6.5mm HOLE AND A PLATE THICKNESS OF 1.8mm
 3. SHEET METAL THICKNESS RANGE: 0.60mm - 6.0mm
 4. HOLE SIZE: 6.5 +/-0.4

Material
PA66HIRHS NATURAL

Units millimeters

Dimension without tolerances details to:

- .xxxx = ±.127
- .xxx = ±.25
- .xx = ±.5
- .x = ±1.0
- None = ±1.5
- ∠ = ±0.5°

The copyright of this drawing is reserved by HellermannTyton. It is issued on condition that it is not reproduced, copied, or disclosed to a third party, either wholly or in part, without the consent of HellermannTyton.

Drawn	MHT	09/23/2011	Article/Type-No	SOC9FT6XLG	Scale	2:1	
Approved			Title	OFFSET BUNDLING CLIP WITH FT6XLG FIR TREE	Project Number	PRP11-0586	
HellermannTyton North America			Drawing-No	11-0586-010-CSU	Production : Phase	Format	AH
						Sheet	1/1